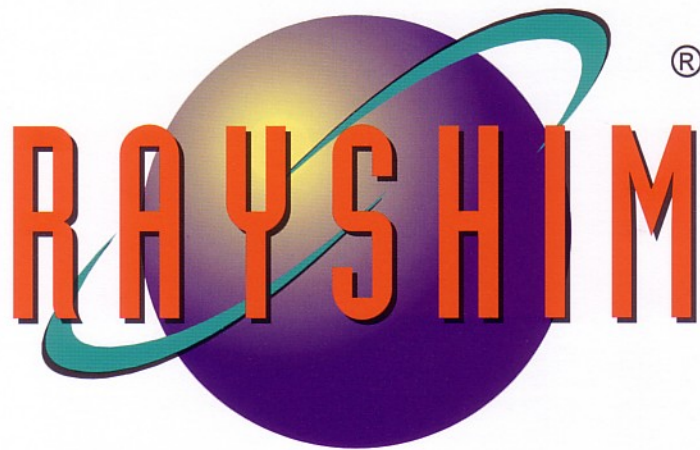


Pre-cut Shims make shaft alignment and other machine levelling tasks easier and more cost effective.



Made from high-grade materials, in sizes to suit almost any type of machine



026

Certificate number 2614/00

Pre-cut shims the facts

Major benefits:

- cost
- time
- stock control
- safety
- reliability
- accuracy

Cost savings

It has been shown that pre-cut shims are around four times more cost effective than hand-cut machine shims in time alone. You only need to think about how long it takes to find shim material of the required thickness; mark it; cut it from the sheet stock; deburr and flatten it. How much simpler and quicker it is to select one that's all ready for use from the shelf. And, remember that installation and repair are also made easier and more straightforward with the pre-cut version.

Time better spent

It's not just the cost involved in producing hand cut shims either. Using pre-cut shims allows the time that would have been spent on hand-cutting, to be used more productively and effectively for your business.

Easier stock control

Keeping track of pre-cut shims – which come packed in special cases, each containing shims of different thicknesses separated by clearly visible dividers – is far easier and less time consuming than running an inventory of sheet stock.

Safer work place

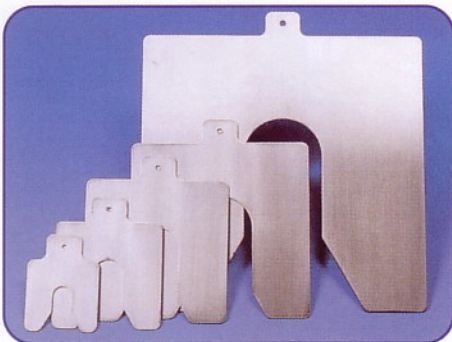
Our pre-cut shims also contribute to safe working practices, reducing the danger of injury during installation and cutting. All are finished with rounded corners and are perfectly deburred for maximum safety.

More reliable

Pre-cut shims also offer increased machine reliability. After all, the more exactly the machines are aligned, the longer they are likely to run without breakdown or damage.

Increased accuracy

When accuracy to hundredths of a millimetre is vital in providing optimum support for machine feet during rotating operations; even the merest fraction of inaccuracy can cause vibration, which in turn may result in breakdowns and expensive machine downtime. The use of pre-cut shims offers consistently accurate positioning, so reducing the likelihood of such disasters.



Our line of shimming materials contain different sizes with slots to fit machine bolts: Metric M8, M12, M18, M27, M36 & M52 or Imperial 1/2", 13/16", 1 1/4" and 1 3/4".

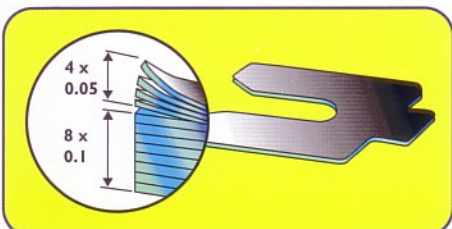
This means that almost any type of machine foot is accommodated. The user can choose between solid stainless steel shims or laminated shims.



Solid shims in high grade stainless steel (BS 1449 PT2 1981 304 S15)

Solid shims, individually marked with thickness, are available in each size. They come in packs of 10 per thickness: Metric from 0.025mm to 3.00mm. Imperial from 0.001" to 0.120".

A selection of thickness' and sizes are also available in packs of each size, or in refillable aluminium framed cases fitted with clearly marked slots to hold individual sets of shims.



Laminated shims and sheets

Laminated shims are available in each size in pre-cut packs of 20, or uncut sheets, in either brass or stainless steel. Each shim has a thickness of 1.00 mm divided into 12 layers.

Laminated shims always fit - just peel off to the required thickness.

Shim measurement and specification charts

Metric Shims

Designation	No. of Shims	A	B	C	Thickness	Bolt size
Profile A						
50-0025Ak	10	50mm	50mm	13mm	0.025mm	M12
50-005An	10	50mm	50mm	13mm	0.05mm	M12
50-010Ap	10	50mm	50mm	13mm	0.10mm	M12
50-020Ar	10	50mm	50mm	13mm	0.20mm	M12
50-025As	10	50mm	50mm	13mm	0.25mm	M12
50-040At	10	50mm	50mm	13mm	0.40mm	M12
50-050Au	10	50mm	50mm	13mm	0.50mm	M12
50-070Av	10	50mm	50mm	13mm	0.70mm	M12
50-100Aw	10	50mm	50mm	13mm	1.00mm	M12
50-200Ax	10	50mm	50mm	13mm	2.00mm	M12
50-300Ay	10	50mm	50mm	13mm	3.00mm	M12

Profile B

75-0025Bk	10	75mm	75mm	21mm	0.025mm	M18
75-005Bn	10	75mm	75mm	21mm	0.05mm	M18
75-010Bp	10	75mm	75mm	21mm	0.10mm	M18
75-020Br	10	75mm	75mm	21mm	0.20mm	M18
75-025Bs	10	75mm	75mm	21mm	0.25mm	M18
75-040Bt	10	75mm	75mm	21mm	0.40mm	M18
75-050Bu	10	75mm	75mm	21mm	0.50mm	M18
75-070Bv	10	75mm	75mm	21mm	0.70mm	M18
75-100Bw	10	75mm	75mm	21mm	1.00mm	M18
75-200Bx	10	75mm	75mm	21mm	2.00mm	M18
75-300By	10	75mm	75mm	21mm	3.00mm	M18

Profile C

100-0025Ck	10	100mm	100mm	32mm	0.025mm	M27
100-005Cn	10	100mm	100mm	32mm	0.05mm	M27
100-010Cp	10	100mm	100mm	32mm	0.10mm	M27
100-020Cr	10	100mm	100mm	32mm	0.20mm	M27
100-025Cs	10	100mm	100mm	32mm	0.25mm	M27
100-040Ct	10	100mm	100mm	32mm	0.40mm	M27
100-050Cu	10	100mm	100mm	32mm	0.50mm	M27
100-070Cv	10	100mm	100mm	32mm	0.70mm	M27
100-100Cw	10	100mm	100mm	32mm	1.00mm	M27
100-200Cx	10	100mm	100mm	32mm	2.00mm	M27
100-300Cy	10	100mm	100mm	32mm	3.00mm	M27

Profile D

125-0025Dk	10	125mm	125mm	45mm	0.025mm	M36
125-005Dn	10	125mm	125mm	45mm	0.05mm	M36
125-010Dp	10	125mm	125mm	45mm	0.10mm	M36
125-020Dr	10	125mm	125mm	45mm	0.20mm	M36
125-025Ds	10	125mm	125mm	45mm	0.25mm	M36
125-040Dt	10	125mm	125mm	45mm	0.40mm	M36
125-050Du	10	125mm	125mm	45mm	0.50mm	M36
125-070Dv	10	125mm	125mm	45mm	0.70mm	M36
125-100Dw	10	125mm	125mm	45mm	1.00mm	M36
125-200Dx	10	125mm	125mm	45mm	2.00mm	M36
125-300Dy	10	125mm	125mm	45mm	3.00mm	M36

Profile E

200-005En	10	200mm	200mm	55mm	0.05mm	M52
200-010Ep	10	200mm	200mm	55mm	0.10mm	M52
200-020Er	10	200mm	200mm	55mm	0.20mm	M52
200-025Es	10	200mm	200mm	55mm	0.25mm	M52
200-040Et	10	200mm	200mm	55mm	0.40mm	M52
200-050Eu	10	200mm	200mm	55mm	0.50mm	M52
200-070Ev	10	200mm	200mm	55mm	0.70mm	M52
200-100Ew	10	200mm	200mm	55mm	1.00mm	M52
200-200Ex	10	200mm	200mm	55mm	2.00mm	M52
200-300Ey	10	200mm	200mm	55mm	3.00mm	M52

Inch Shims

Designation	No. of Shims	A	B	C	Thickness	Bolt size
2-001A	10	2"	2"	0.51"	0.001"	1/2"
2-002A	10	2"	2"	0.51"	0.002"	1/2"
2-005A	10	2"	2"	0.51"	0.005"	1/2"
2-010A	10	2"	2"	0.51"	0.010"	1/2"
2-025A	10	2"	2"	0.51"	0.025"	1/2"
2-050A	10	2"	2"	0.51"	0.050"	1/2"
2-075A	10	2"	2"	0.51"	0.075"	1/2"
2-120A	10	2"	2"	0.51"	0.120"	1/2"

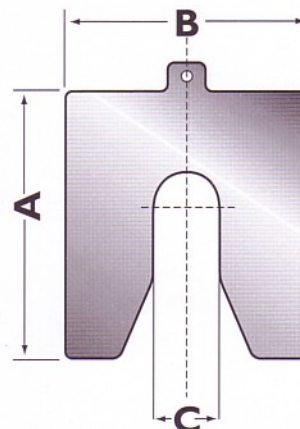
3-001B	10	3"	3"	0.827"	0.001"	13/16"
3-002B	10	3"	3"	0.827"	0.002"	13/16"
3-005B	10	3"	3"	0.827"	0.005"	13/16"
3-010B	10	3"	3"	0.827"	0.010"	13/16"
3-025B	10	3"	3"	0.827"	0.025"	13/16"
3-050B	10	3"	3"	0.827"	0.050"	13/16"
3-075B	10	3"	3"	0.827"	0.075"	13/16"
3-120B	10	3"	3"	0.827"	0.120"	13/16"

4-001C	10	4"	4"	1.26"	0.001"	1. 1/4"
4-002C	10	4"	4"	1.26"	0.002"	1. 1/4"
4-005C	10	4"	4"	1.26"	0.005"	1. 1/4"
4-010C	10	4"	4"	1.26"	0.010"	1. 1/4"
4-025C	10	4"	4"	1.26"	0.025"	1. 1/4"
4-050C	10	4"	4"	1.26"	0.050"	1. 1/4"
4-075C	10	4"	4"	1.26"	0.075"	1. 1/4"
4-120C	10	4"	4"	1.26"	0.120"	1. 1/4"

5-001D	10	5"	5"	1.77"	0.001"	1. 3/4"
5-002D	10	5"	5"	1.77"	0.002"	1. 3/4"
5-005D	10	5"	5"	1.77"	0.005"	1. 3/4"
5-010D	10	5"	5"	1.77"	0.010"	1. 3/4"
5-025D	10	5"	5"	1.77"	0.025"	1. 3/4"
5-050D	10	5"	5"	1.77"	0.050"	1. 3/4"
5-075D	10	5"	5"	1.77"	0.075"	1. 3/4"
5-120D	10	5"	5"	1.77"	0.120"	1. 3/4"

Small motor/pump shims

Designation	No. of Shims	A	B	C	Thickness	Bolt size
35-005	10	35mm	30mm	9mm	0.05mm	M8
35-010	10	35mm	30mm	9mm	0.10mm	M8
35-020	10	35mm	30mm	9mm	0.20mm	M8
35-025	10	35mm	30mm	9mm	0.25mm	M8
35-040	10	35mm	30mm	9mm	0.40mm	M8
35-050	10	35mm	30mm	9mm	0.50mm	M8
35-070	10	35mm	30mm	9mm	0.70mm	M8
35-100	10	35mm	30mm	9mm	1.00mm	M8



Packs of selected Shims

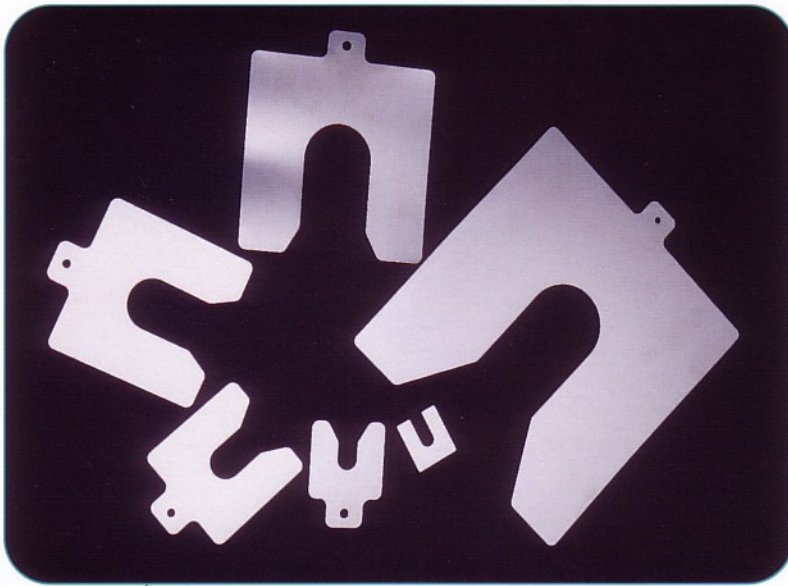
Designation	Contents	
50-pak	50 off shims size 50mm x 50mm.	10 off each thickness 0.05, 0.10, 0.25, 0.50 & 1.00mm
75-pak	50 off shims size 75mm x 75mm.	10 off each thickness 0.05, 0.10, 0.25, 0.50 & 1.00mm
100-pak	50 off shims size 100mm x 100mm.	10 off each thickness 0.05, 0.10, 0.25, 0.50 & 1.00mm
125-pak	50 off shims size 125mm x 125mm.	10 off each thickness 0.05, 0.10, 0.25, 0.50 & 1.00mm
200-pak	50 off shims size 200mm x 200mm.	10 off each thickness 0.05, 0.10, 0.25, 0.50 & 1.00mm

Cases of selected Shims

Designation	Contents	
Shimcase 1 Total 360 shims.	20 off each thickness	
50mm x 50mm	0.05mm, 0.10mm, 0.25mm, 0.50mm, 1.00mm & 2.00mm	
75mm x 75mm		
100mm x 100mm		
Shimcase 2 Total 510 shims.	20 off each thickness	
50mm x 50mm	0.05mm, 0.10mm, 0.20mm, 0.25mm, 0.40mm, 50mm	
75mm x 75mm	0.70mm, 1.00mm	
100mm x 100mm	Plus 10 off 2.00mm	
Shimcase 3 Total 340 shims.	20 off each thickness	
100mm x 100mm	0.05mm, 0.10mm, 0.20mm, 0.25mm, 0.40mm, 50mm	
125mm x 125mm	0.70mm, 1.00mm	
	Plus 10 off 2.00mm	
Shimcase 4 Total 720 shims.	20 off each thickness	
50mm x 50mm	0.05mm, 0.10mm, 0.20mm, 0.25mm, 0.40mm, 50mm	
75mm x 75mm	0.70mm, 1.00mm & 2.00mm	
100mm x 100mm		
125mm x 125mm		
Shimcase 5 Total 600 shims.	20 off each thickness	
50mm x 50mm	0.025, 0.05mm, 0.10mm, 0.20mm, 0.25mm, 0.40mm	
75mm x 75mm	0.50mm, 0.70mm	
100mm x 100mm	Plus 10 off 1.00mm	
	Plus 5 off 2.00mm & 3.00mm	
Shimcase 6 Total 800 shims.	20 off each thickness	
50mm x 50mm	0.025, 0.05mm, 0.10mm, 0.20mm, 0.25mm, 0.40mm	
75mm x 75mm	0.50mm, 0.70mm	
100mm x 100mm	Plus 10 off 1.00mm	
125mm x 125mm	Plus 5 off 2.00mm & 3.00mm	
Shimcase 7 Total 90 shims.	10 off each thickness	
200mm x 200mm	0.05mm, 0.10mm, 0.20mm, 0.25mm, 0.40mm	
	0.50mm, 0.70mm	
	Plus 10 off 1.00mm	
	Plus 5 off 2.00mm & 3.00mm	
Impshimcase 1 Total 360 shims.	20 off each thickness	
2" x 2"	0.002", 0.005", 0.010", 0.025", 0.050", 0.075"	
3" x 3"		
4" x 4"		

Laminated Shims

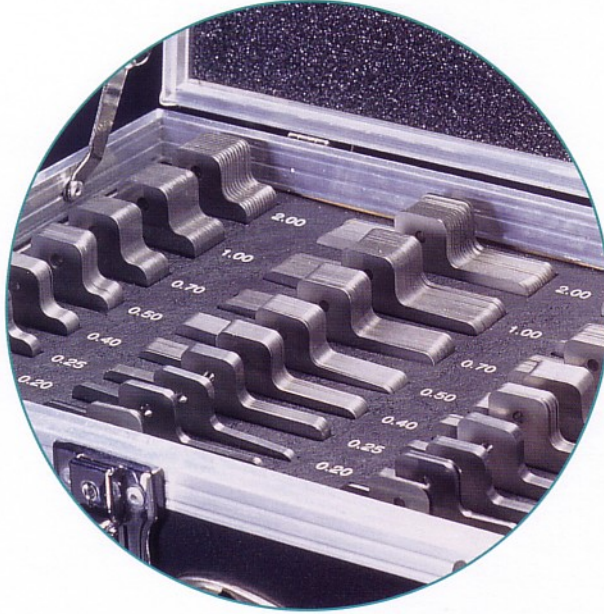
Designation	Material	No. of shims	A	B	C	Thickness
LB-50Pak	Brass	20	50mm	50mm	13mm	1.00mm
LB-75Pak	Brass	20	75mm	75mm	21mm	1.00mm
LB-100Pak	Brass	20	100mm	100mm	32mm	1.00mm
LB-125Pak	Brass	20	125mm	125mm	45mm	1.00mm
LB-200Pak	Brass	20	200mm	200mm	55mm	1.00mm
LS-50Pak	Stainless Steel	20	50mm	50mm	13mm	1.00mm
LS-75Pak	Stainless Steel	20	75mm	75mm	21mm	1.00mm
LS-100Pak	Stainless Steel	20	100mm	100mm	32mm	1.00mm
LS-125Pak	Stainless Steel	20	125mm	125mm	45mm	1.00mm
LS-200Pak	Stainless Steel	20	200mm	200mm	55mm	1.00mm
Laminated Sheets						
LBSheet	Brass	Size: 305mm x 1220mm x 1.00mm				
LBSheet	Stainless Steel	Size: 610mm x 1220mm x 1.00mm				



Pre-cut shims at a glance

- pre-cut shims are made of high-quality stainless steel to prevent corrosion from exposure to acids or alkalis
- pre-cut shims are available in several machine foot sizes, each with different thickness options to give exactly the right alignment correction facility for almost any machine
- pre-cut shims are easily and quickly identified by permanent marks indicating thickness and dimensions
- pre-cut shims are completely flat, ensuring stability and consistent machine support over the full surface of the shim
- pre-cut shims are burr-free and have specially rounded corners to avoid injury to operatives during alignment positioning
- pre-cut shims have an extraction and insertion tab to facilitate positioning and removal, each clearly marked with thickness
- pre-cut shims are available in many pre-packed options to suit your requirements





Rayhome Limited • Bolholt Works • Walshaw Road • Bury • Lancashire BL8 1PY • United Kingdom
Tel: +44 (0)161 761 1132 Fax: +44 (0)161 764 6015
E-mail: sales@rayshim.co.uk